

# Alan Rossiter

Executive Director, External Relations/Educational Program Development, UH Energy, University of Houston, since March 2019.

Engineering positions with Imperial Chemical Industries (ICI) (England), and SABIC (Saudi Arabia).

Linnhoff March, Inc., USA - industrial energy efficiency and waste minimization consulting. Several roles, including president.

Rossiter & Associates – President & CEO.

Bachelor's, master's, and doctoral degrees in chemical engineering from the University of Cambridge.

Licensed professional engineer (Texas), and Fellow of the American Institute of Chemical Engineers.



UNIVERSITY of HOUSTON

UH ENERGY

# Harvey and the Beauty of the Steady State

TIEEP Energy Forum

April 2, 2020

Alan Rossiter

UH Energy, University of Houston

UNIVERSITY of HOUSTON

UH ENERGY

# Harvey and the Beauty of the Steady State

TIEEP Energy Forum

April 2, 2020

Alan Rossiter

UH Energy, University of Houston











# Estimated cost: \$125 billion

TABLE 1. Harvey impacts on US petrochemical capacity, August 29, 2017. Credit: ICIS Supply & Demand database, ICIS analysis

Petrochemical	Reduction in capacity due to shutdowns
Ethylene	36.6%
Benzene	31.1%
Polyethylene	25.5%
Polypropylene	24.8%
Propylene	23.3%

Source: Lessons learned from Hurricane Harvey, Laura Cassidy, Inform (AOCS), [www.aocs.org/stay-informed/inform-magazine/featured-articles/lessons-learned-from-hurricane-harvey-march-2018](http://www.aocs.org/stay-informed/inform-magazine/featured-articles/lessons-learned-from-hurricane-harvey-march-2018)

Accessed February 25, 2020



# Harvey Also Obliterated Energy Efficiency

One Simple Equation...

$$\text{Energy Intensity} = \text{Energy Consumption/Production}$$
$$\mathbf{EI = EC/P}$$

...says it all

Energy intensity rises (and efficiency falls) if:

- energy consumption increases
- production decreases
- especially during unstable or abnormal operations



# Our Agenda

- A. Detailed examples
  - 1. Summer rainstorms
  - 2. Throughput cuts
- B. Other situations
- C. Apply observations to Harvey
- D. Mitigation options

$$EI \downarrow = EC \uparrow / P \uparrow$$





# Our Agenda

## A. Detailed examples

1. Summer rainstorms
2. Throughput cuts

## B. Other situations

## C. Apply observations to Harvey

## D. Mitigation options

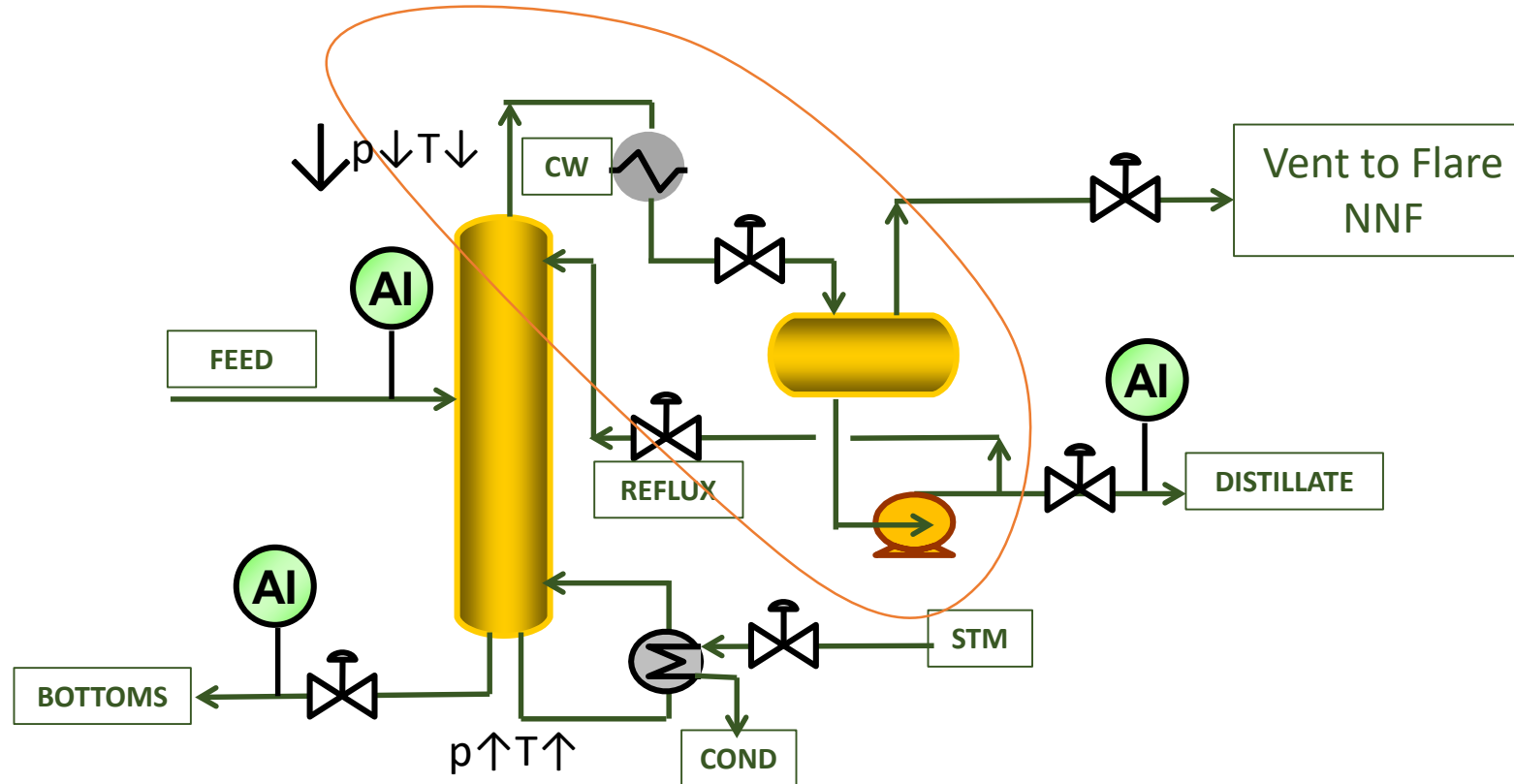


# Example 1: Summer Rainstorms



# Distillation Column Performance

Many Overhead Systems are NOT Insulated



Courtesy: Charles Herzog





# What Happens to the Column During a Rainstorm?

- Uncontrolled increase in condenser duty
- Pressure decreases rapidly
- Tray liquid vaporizes, goes to reflux drum
- Heavy ends contaminate distillate product
- Off-spec material has to be reprocessed

$$EI \uparrow \uparrow = EC \uparrow / P \downarrow$$



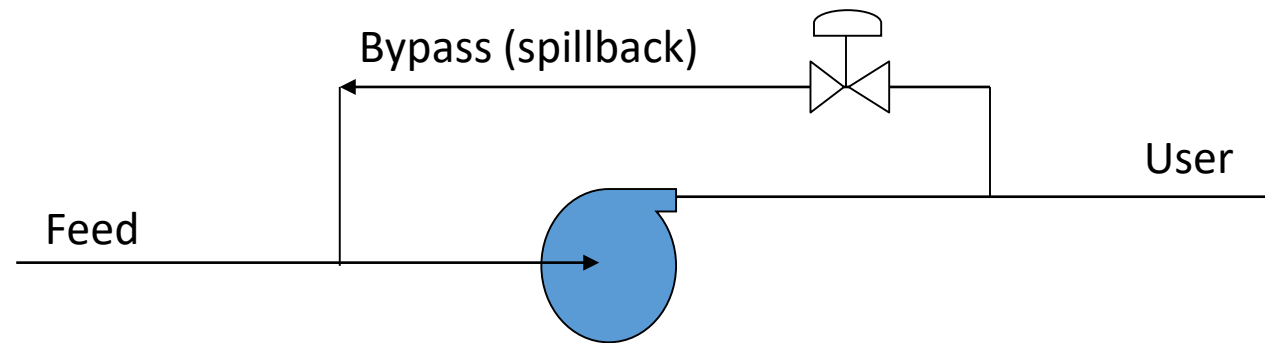
# Example 2: Throughput Cuts

## Control of Centrifugal Pumps



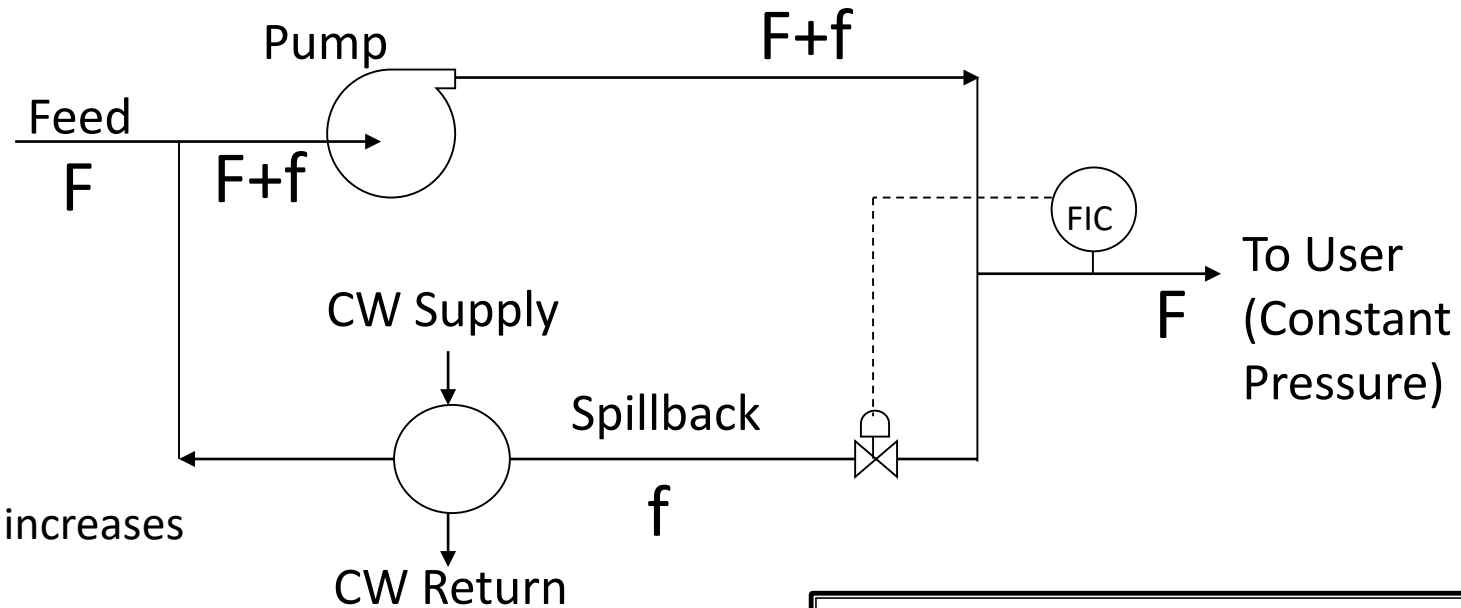
# Pump Control

## i. Bypass Control





# Bypass Control is Typically the Least Efficient Option



To reduce throughput F:

Spillback valve opens -  $f$  increases

$F$  decreases

Pressures in and out of pump  $\sim$ constant.

$F+f$  stays  $\sim$ constant

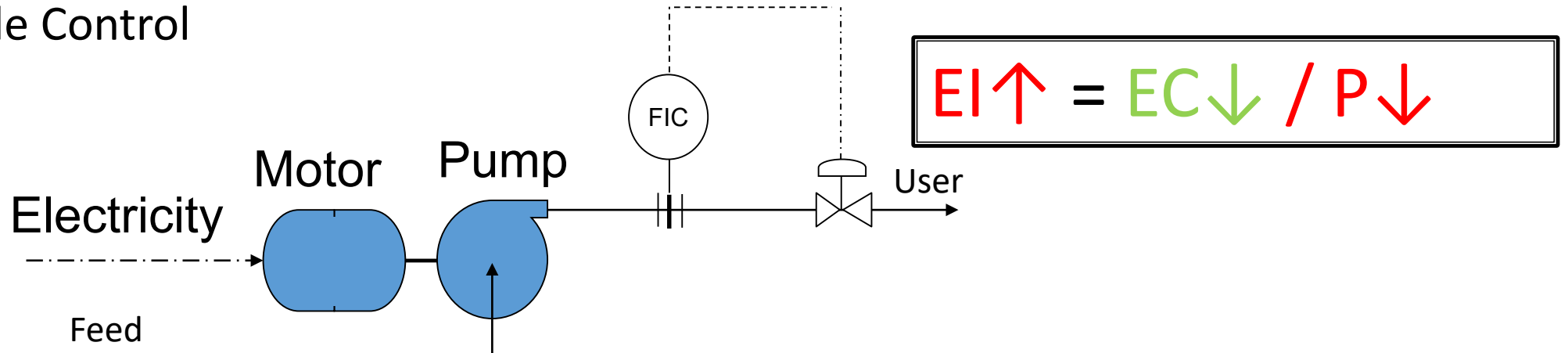
Pump power stays  $\sim$ constant

$$EI \uparrow = EC \updownarrow / P \downarrow$$



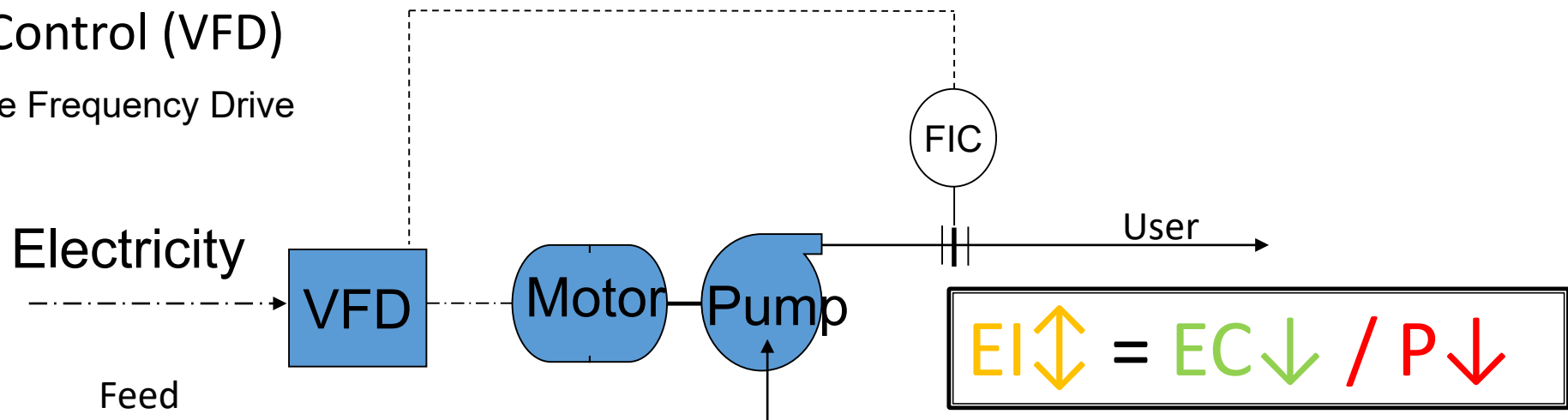
# Pump Control

## ii. Throttle Control

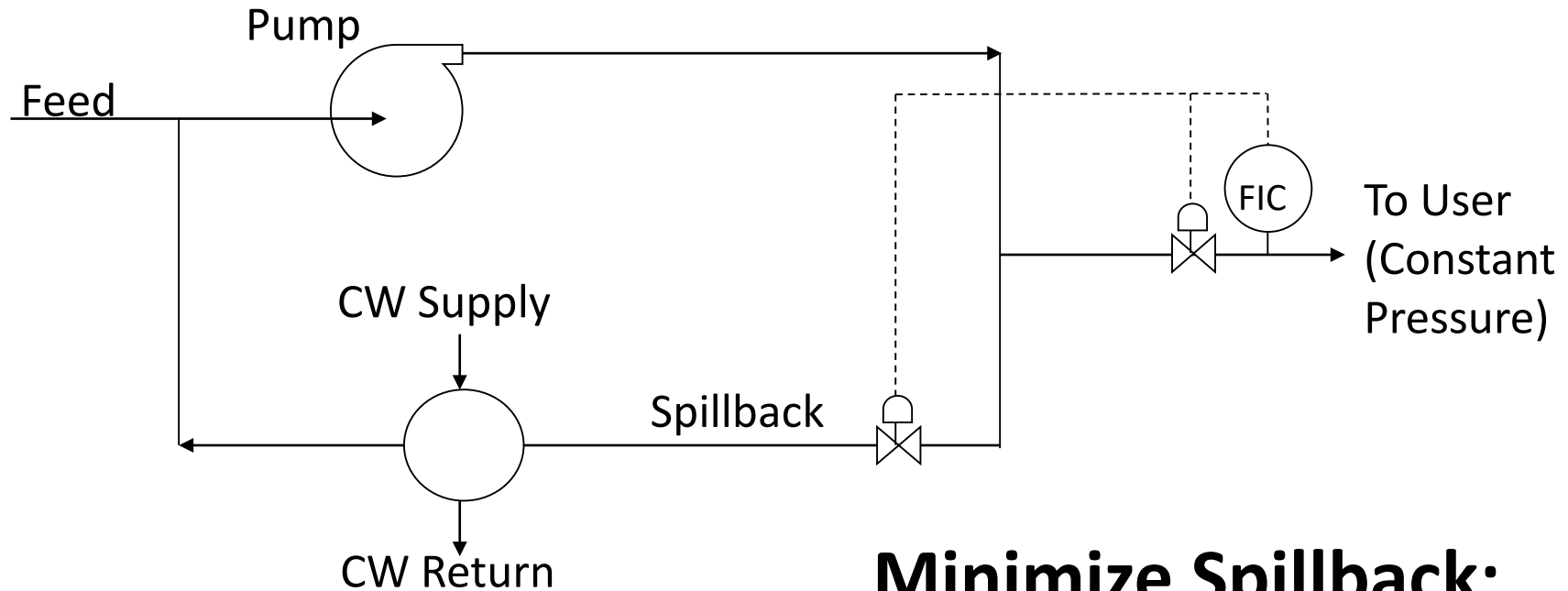


## iii. Speed Control (VFD)

VFD = Variable Frequency Drive



# Convert from bypass to throttle control



Verify safety/reliability issues

**Minimize Spillback:  
Saves \$150,000/year**





# Our Agenda

- A. Detailed examples
  - 1. Summer rainstorms
  - 2. Throughput cuts
- B. Other situations**
- C. Apply observations to Harvey
- D. Mitigation options



# Shutdown and Restart

- No production when plant is fully off-line; low energy use;  $EI = \infty$ .
- Shutting down and subsequent restarting typically takes several days.
  - Considerable energy is consumed, e.g., controlled cool down and subsequent reheating of furnaces and other equipment.
  - Little usable product is produced.
  - Off-spec product may be stored for subsequent reprocessing.

$$EI \uparrow \uparrow = EC \downarrow / P \downarrow \downarrow$$



# A few more cases...

- Partial shutdowns (squats) – often used for maintenance or to recover from major plant upsets.
- Product or grade changes – may include stop/start, changing feedstock, adjusting temperature, pressure, flow rate, etc.

$$EI \uparrow = EC \downarrow / P \downarrow$$



# Our Agenda

- A. Consider a couple of examples in detail
  - 1. Summer rainstorms
  - 2. Throughput cuts
- B. Other situations
- C. Apply observations to Harvey
- D. Mitigation options



# So How Did Harvey Impact Energy Efficiency?

All of the inefficiencies apply:

- Rainstorms
- Equipment stopped/standby
- Shut down plants
- Extended period off-line
- Restarting operations
- Throughput cuts/standby operation because of logistical problems

$$EI \uparrow \uparrow = EC \downarrow / P \downarrow \downarrow$$



# Our Agenda

- A. Consider a couple of examples in detail
  - 1. Summer rainstorms
  - 2. Throughput cuts
- B. Other situations
- C. Apply observations to Harvey
- D. Mitigation options





# Minimize or Mitigate EI Impacts

## Design

- Insulate equipment.
- Provide surge capacity in feed and product drums.
- Upgrade control systems.

## Operation

- Minimize the frequency of grade and product changes.
- Modify start-up and shutdown procedures, to eliminate unnecessary delays (subject to safety and equipment integrity)

## External

- Increase resiliency of infrastructure & supply chain
- Effective emergency management to minimize downtime



# References

- Charles Herzog, *Address Distillation Process Control during Design Phase to Save Energy and Increase Capacity*, 11<sup>th</sup> AIChE Southwest Process Technology Conference, Sugar Land, TX, October 1, 2019
- Charles Herzog, *Improve Distillation Control*, Chemical Processing, Vol. 82, No. 2, p. 12, February 2020.
- Alan Rossiter, *The Beauty of the Steady State*, Chemical Processing, In Press, June 2020.
- Laura Cassidy, *Lessons learned from Hurricane Harvey*, Inform (AOCS), [www.aocs.org/stay-informed/inform-magazine/featured-articles/lessons-learned-from-hurricane-harvey-march-2018](http://www.aocs.org/stay-informed/inform-magazine/featured-articles/lessons-learned-from-hurricane-harvey-march-2018)

